
2 Parts and diagrams

- [For additional service and support](#)
- [Assembly locations](#)
- [How to use the parts lists and diagrams](#)
- [Parts and diagrams: Image scanners and document feeders](#)
- [Parts and diagrams: Covers](#)
- [Parts and diagrams: Internal components](#)
- [Alphabetical parts list](#)
- [Numerical parts list](#)

For additional service and support

HP service personnel, go to one of the following Web-based Interactive Search Engines (WISE) sites:

AMS

- <https://support.hp.com/wise/home/ams-en>
- <https://support.hp.com/wise/home/ams-es>
- <https://support.hp.com/wise/home/ams-pt>

APJ

- <https://support.hp.com/wise/home/apj-en>
- <https://support.hp.com/wise/home/apj-ja>
- <https://support.hp.com/wise/home/apj-ko>
- <https://support.hp.com/wise/home/apj-zh-Hans>
- <https://support.hp.com/wise/home/apj-zh-Hant>

EMEA

- <https://support.hp.com/wise/home/emea-en>

Channel partners, go to HP Channel Services Network (CSN) at www.hp.com/partners/csn.

At these locations, find information on the following topics:

- Install and configure
- Printer specifications
- Up-to-date control panel message (CPMD) troubleshooting
- Solutions for printer issues and emerging issues
- Remove and replace part instructions and videos
- Service advisories
- Warranty and regulatory information

Channel partners, access training materials in the HP University and Partner Learning Center at <https://content.ext.hp.com/sites/LMS/HPU.page>.

To access HP PartSurfer information from any mobile device, go to <http://partsurfermobile.hp.com/> or scan the Quick Response (QR) code below.



Assembly locations

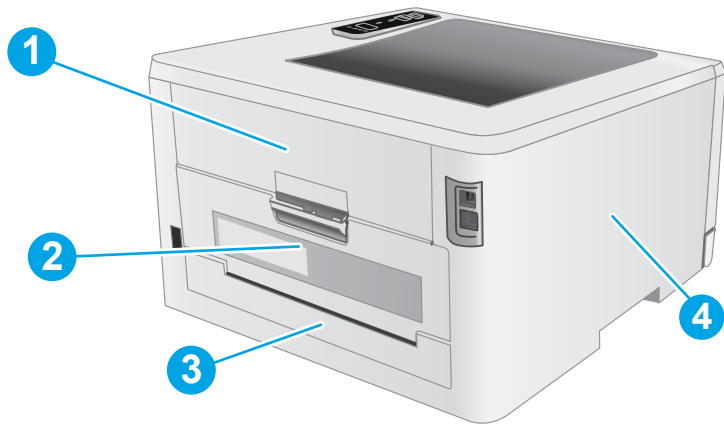
- [Product front view \(M153-M154 models\)](#)
- [Product back view \(M153-M154 models\)](#)
- [Product front view \(M178-M181 models\)](#)
- [Product back view \(M178-M181 models\)](#)
- [Product front view \(M253-M254 models\)](#)
- [Product back view \(M253-M254 models\)](#)
- [Product front view \(M278-M281 models\)](#)
- [Product back view \(M278-M281 models\)](#)

Product front view (M153-M154 models)



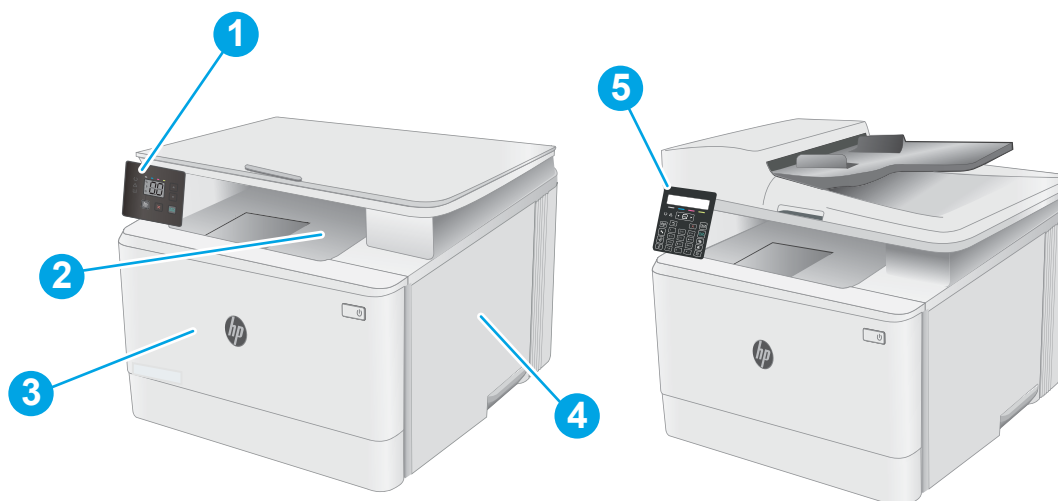
1	Standard output bin
2	Front door (access to toner cartridges)
3	Right cover
4	Control panel

Product back view (M153-M154 models)



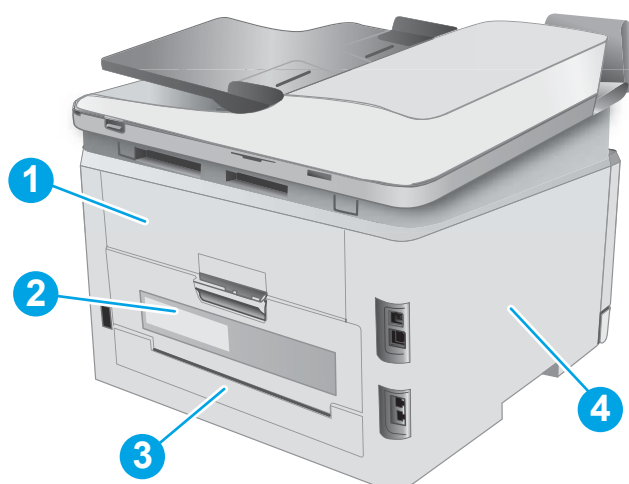
1	Rear cover
2	Rear door assembly
3	Rear lower cover
4	Left cover

Product front view (M178-M181 models)



- | | |
|---|---|
| 1 | Icon LCD control panel (M180) |
| 2 | Standard output bin |
| 3 | Front door (access to toner cartridges) |
| 4 | Right cover |
| 5 | LCD control panel with keypad (M181) |

Product back view (M178-M181 models)



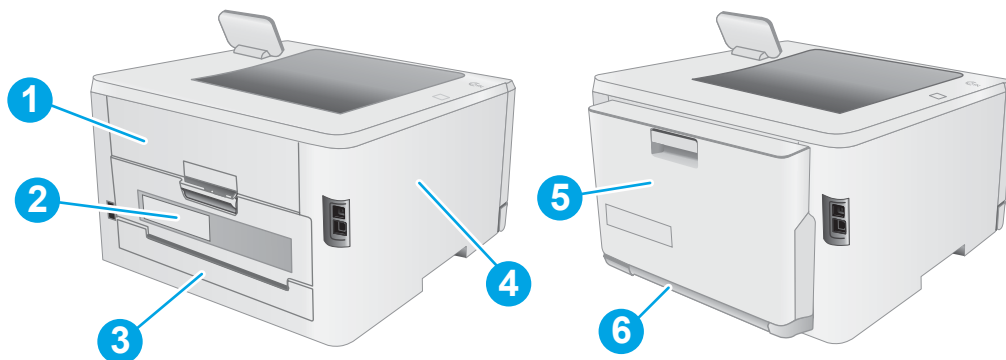
- | | |
|---|--------------------|
| 1 | Rear cover |
| 2 | Rear door assembly |
| 3 | Rear lower cover |
| 4 | Left cover |

Product front view (M253-M254 models)



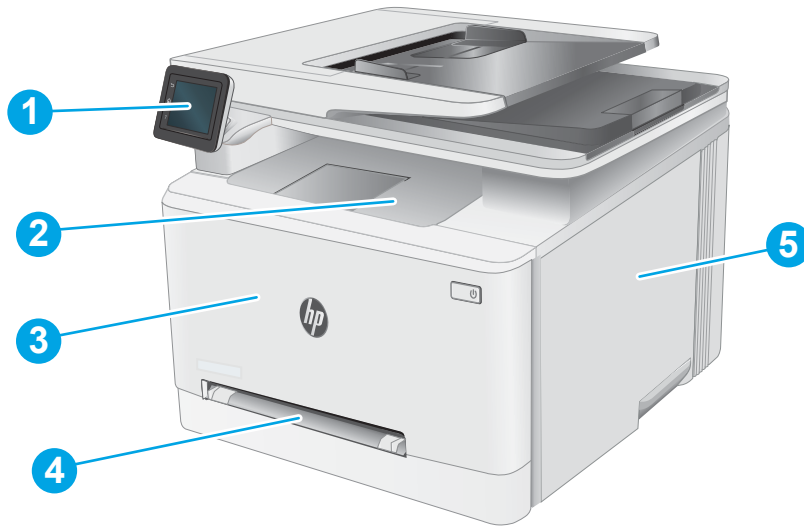
1	Standard output bin
2	Front door (access to the toner cartridges)
3	Priority feed tray
4	Right cover
5	LCD control panel with keypad
6	Touchscreen control panel

Product back view (M253-M254 models)



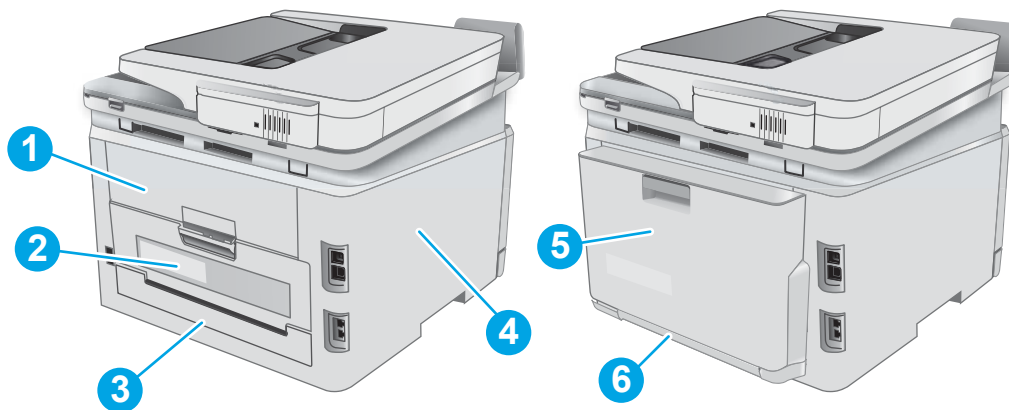
1	Rear upper cover
2	Rear door assembly
3	Rear lower cover (simplex models only)
4	Left cover
5	Duplex rear door assembly
6	Rear lower cover (duplex models only)

Product front view (M278-M281 models)



1	Touchscreen control panel
2	Standard output bin
3	Front door (access to toner cartridges)
4	Priority feed tray
5	Right cover


Product back view (M278-M281 models)




1	Rear upper cover (simplex models)
2	Rear door assembly
3	Rear lower cover (simplex models)
4	Left cover
5	Duplex door assembly (duplex models)
6	Rear lower cover (duplex models)

How to use the parts lists and diagrams

The figures in this chapter show the major subassemblies in the product and their component parts. A parts list table follows each exploded view assembly diagram. Each table lists the item number, the associated part number, and the description of each part. If a part is not listed in the table, then it is not a field replacement unit (FRU).

 **CAUTION:** Be sure to order the correct part. When looking for part numbers for electrical components, pay careful attention to the voltage that is listed in the description column. Doing so will ensure that the part number selected is for the correct model.

 **NOTE:** In this manual, the abbreviation “PCA” stands for “printed circuit-board assembly.” Components described as a PCA might consist of a single circuit board or a circuit board plus other parts, such as cables and sensors.

Parts and diagrams: Image scanners and document feeders

Flatbed image scanner (M180n model only)

Figure 2-1 Flatbed image scanner (M180n)

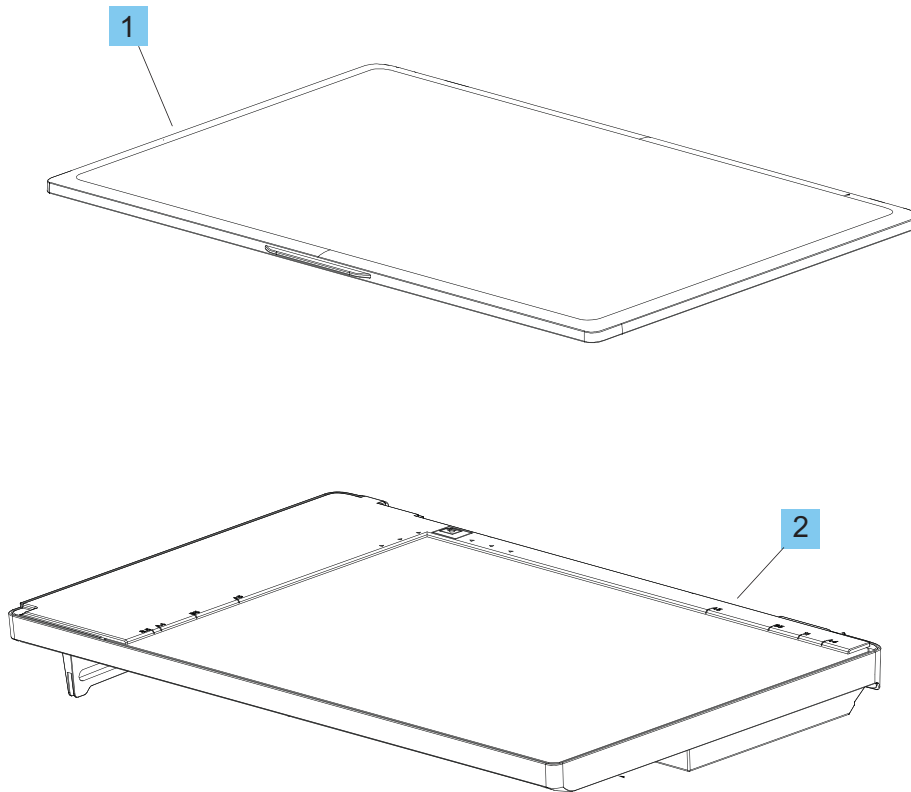


Table 2-1 Image scanner (flatbed)

Ref	Description	Part number	Qty
1	Document lid assembly	RM2-2411-000CN	1
2	Image scanner assembly	RM2-2412-000CN	1

Image scanner and document feeder (M180nw and M181fw models only)

Figure 2-2 Image scanner and document feeder (M180nw and M181fw)

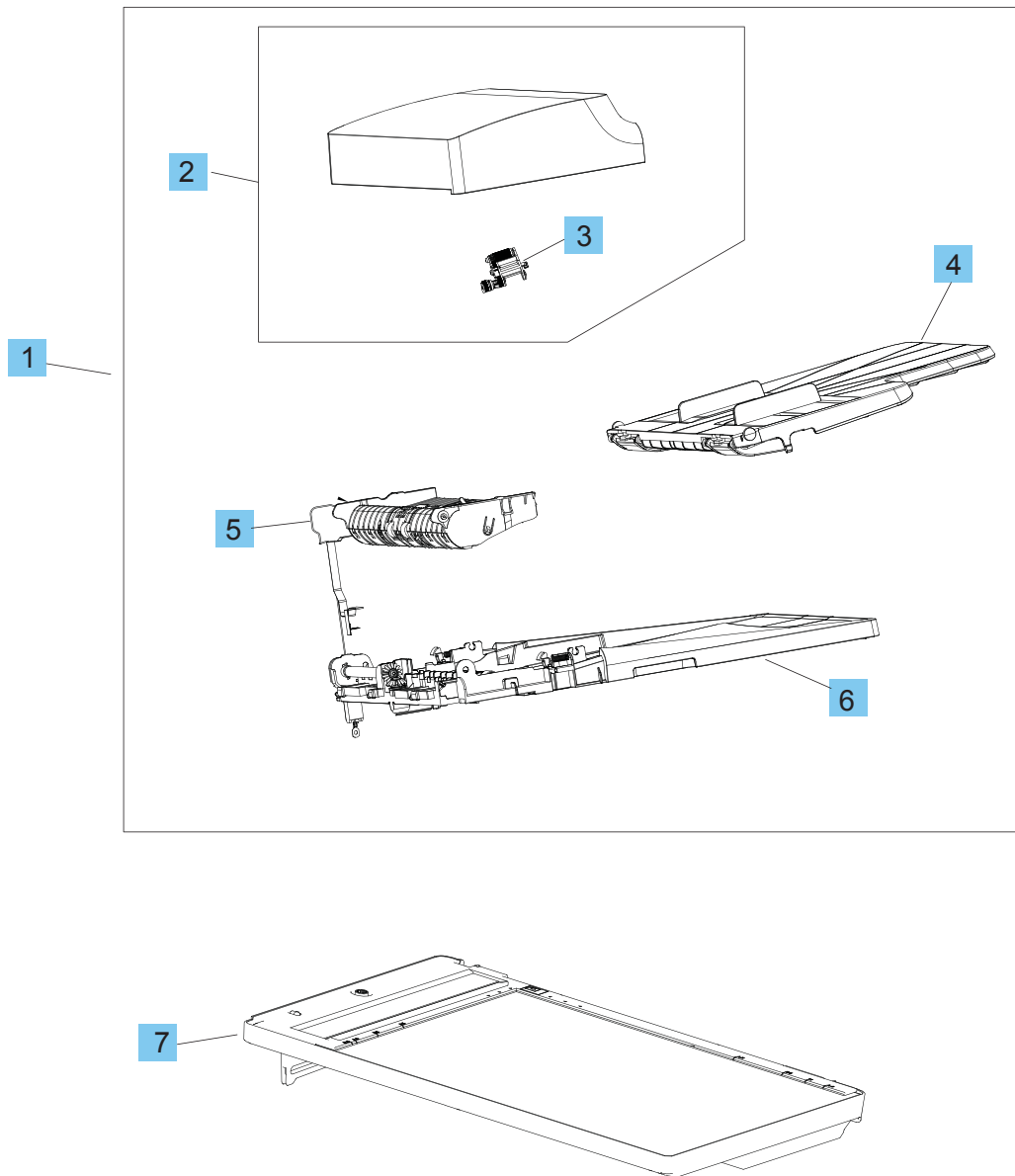


Table 2-2 Image scanner and document feeder

Ref	Description	Part number	Qty
1	ADF assembly	RM2-2419-000CN	1
2	Top cover	RM2-1180-000CN	1
3	Pre-pick arm assembly	RM2-1187-000CN	1
4	Input tray assembly	RM2-2420-000CN	1
5	ADF core assembly	RM2-2425-000CN	1
6	ADF base assembly	RM2-1183-000CN	1
7	Image scanner assembly	RM2-2416-000CN	1

Image scanner and document feeder (M278-M281 models only)

Figure 2-3 Image scanner and document feeder (M278-M281)

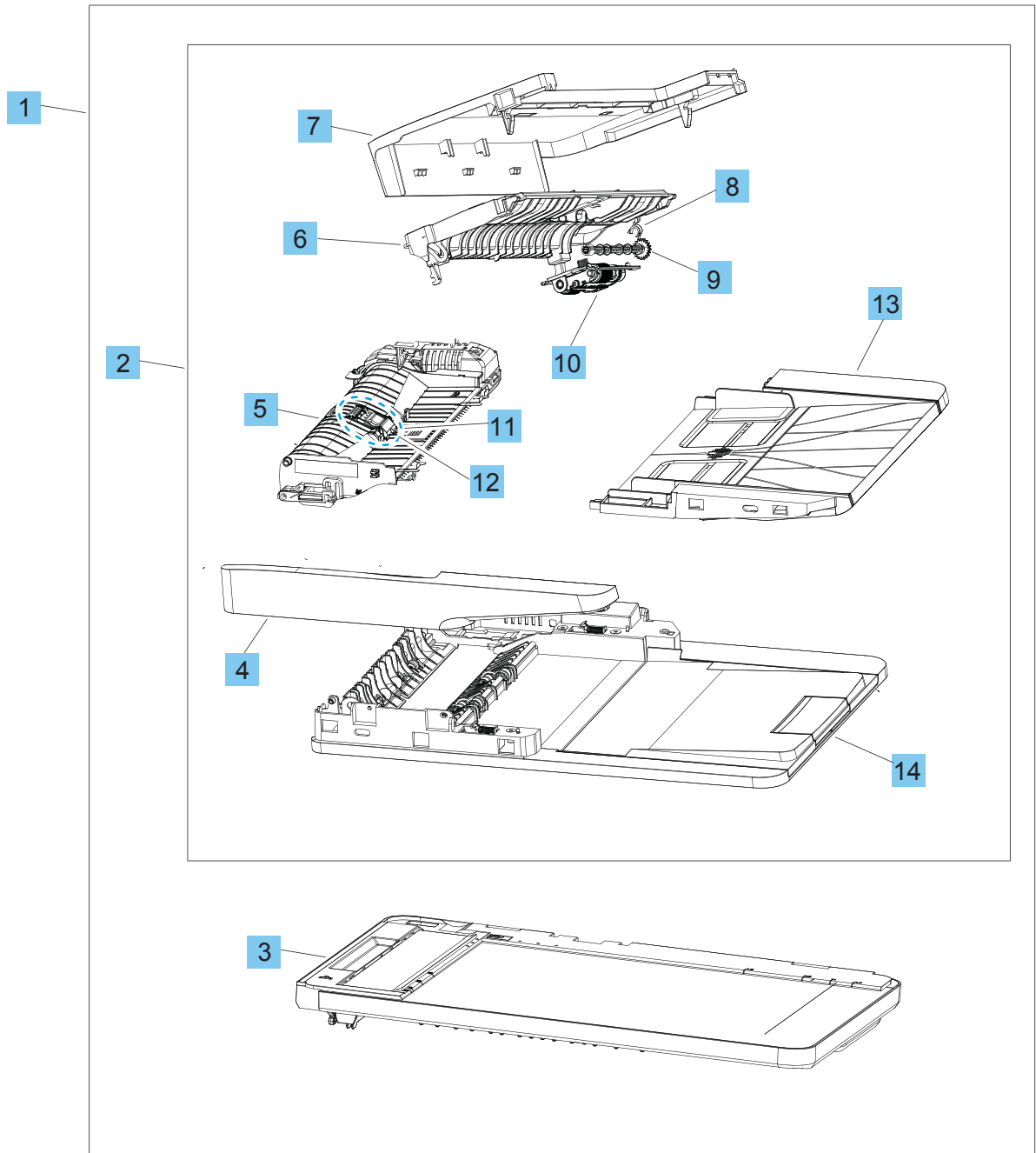


Table 2-3 Image scanner and document feeder (M278-M281)

Ref	Description	Part number	Qty
1	Integrated scanner assembly (document feeder and scanner)	B3Q10-60174	1
2	ADF simplex assembly	B3Q10-60111	1
3	Scanner assembly	B3Q10-60102	1
4	ADF front cap	B3Q10-40042	1
5	ADF core assembly	B3Q10-60112	1
6	ADF inner cover	B3Q10-40012	1
7	ADF outer cover	B3Q10-40013	1
8	Bearing extension	B3Q10-40074	1
9	ADF pick extension shaft	B3Q10-40081	1
10	ADF pick assembly	B3Q10-60105	1
11	Separation pad	B3Q10-40080	1
12	Separation pad support	B3Q10-40079	1
13	ADF input tray assembly	B3Q10-60164	1
14	ADF base assembly	B3Q10-60116	1
Not shown	Separation pad spring	B3Q10-00019	1
Not shown	ISA lift assembly	B3Q10-60128	1
Not shown	ISA lift slider pin	B3Q10-40041	1
Not shown	ADF lid hinge assembly	B3Q10-60130	1
Not shown	ADF FFC cable assembly	B3Q10-60162	1

Parts and diagrams: Covers

Covers (M153-M154)

Figure 2-4 Covers (M153-M154)

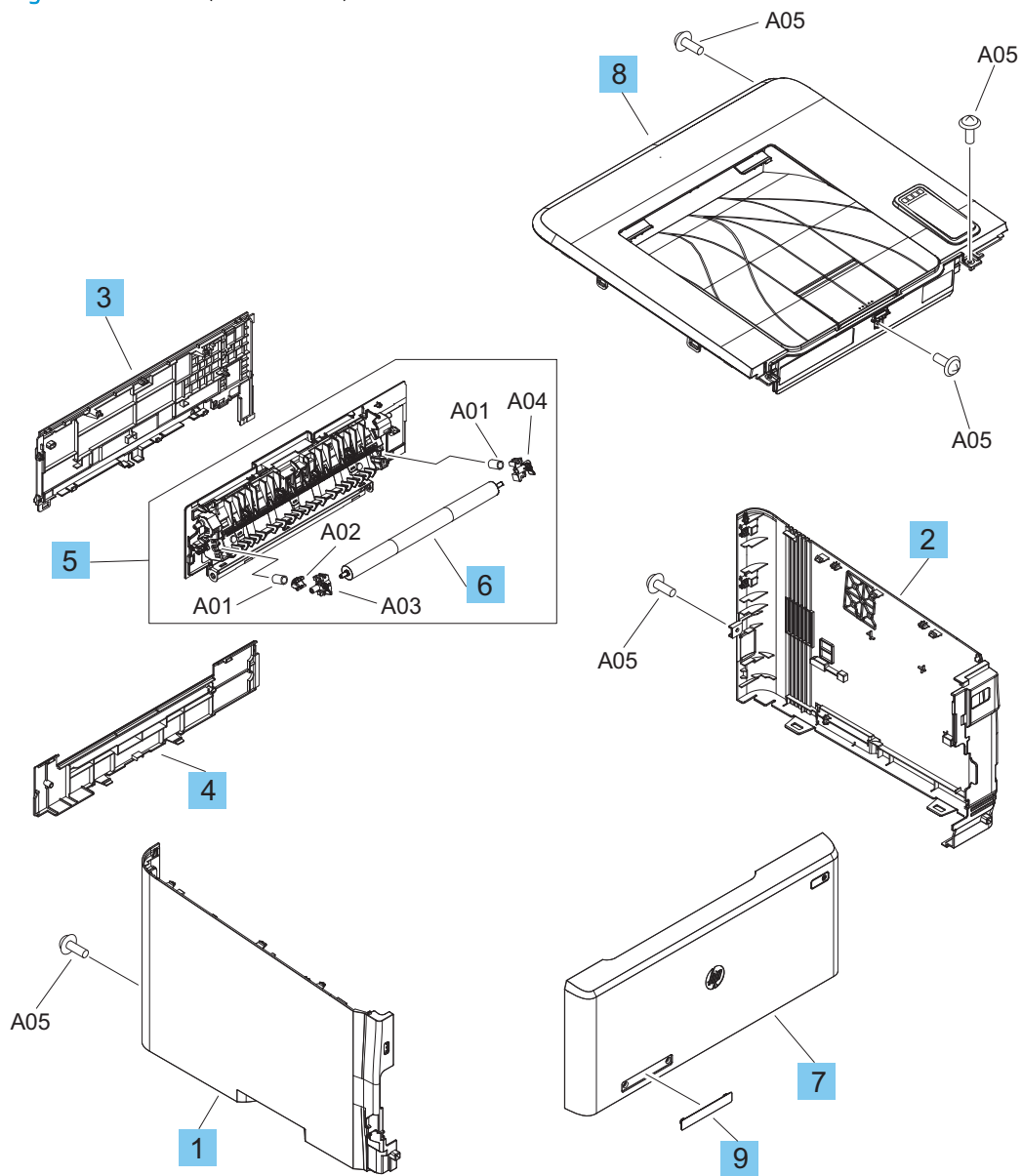


Table 2-4 Covers (M153-M154)

Ref	Description	Part number	Qty
1	Cover, left (wireless model)	RC5-2028-000CN	1
1	Cover, left (non-wireless model)	RL2-3224-000CN	1
2	Cover, right	RC5-2029-000CN	1
3	Cover, rear	RC4-3817-000CN	1
4	Cover, lower rear	RC5-3022-000CN	1
5	Rear door assembly	RM2-2489-000CN	1
6	Secondary transfer roller	RM2-5906-000CN	1
7	Front door assembly	RM2-2400-000CN	1
8	Top cover assembly (wireless models)	RM2-2424-000CN	1
8	Top cover assembly (non-wireless models)	RM2-2405-000CN	1
9	Name plate (non-wireless models)	RC5-4047-000CN	1
9	Name plate (wireless models)	RC5-4048-000CN	1
Not shown	Control panel (M154 wireless model)	RM2-9557-000CN	1
Not shown	Control panel (M154 non-wireless model)	RM2-9558-000CN	1

Covers (M178-M181)

Figure 2-5 Covers (M178-M181)

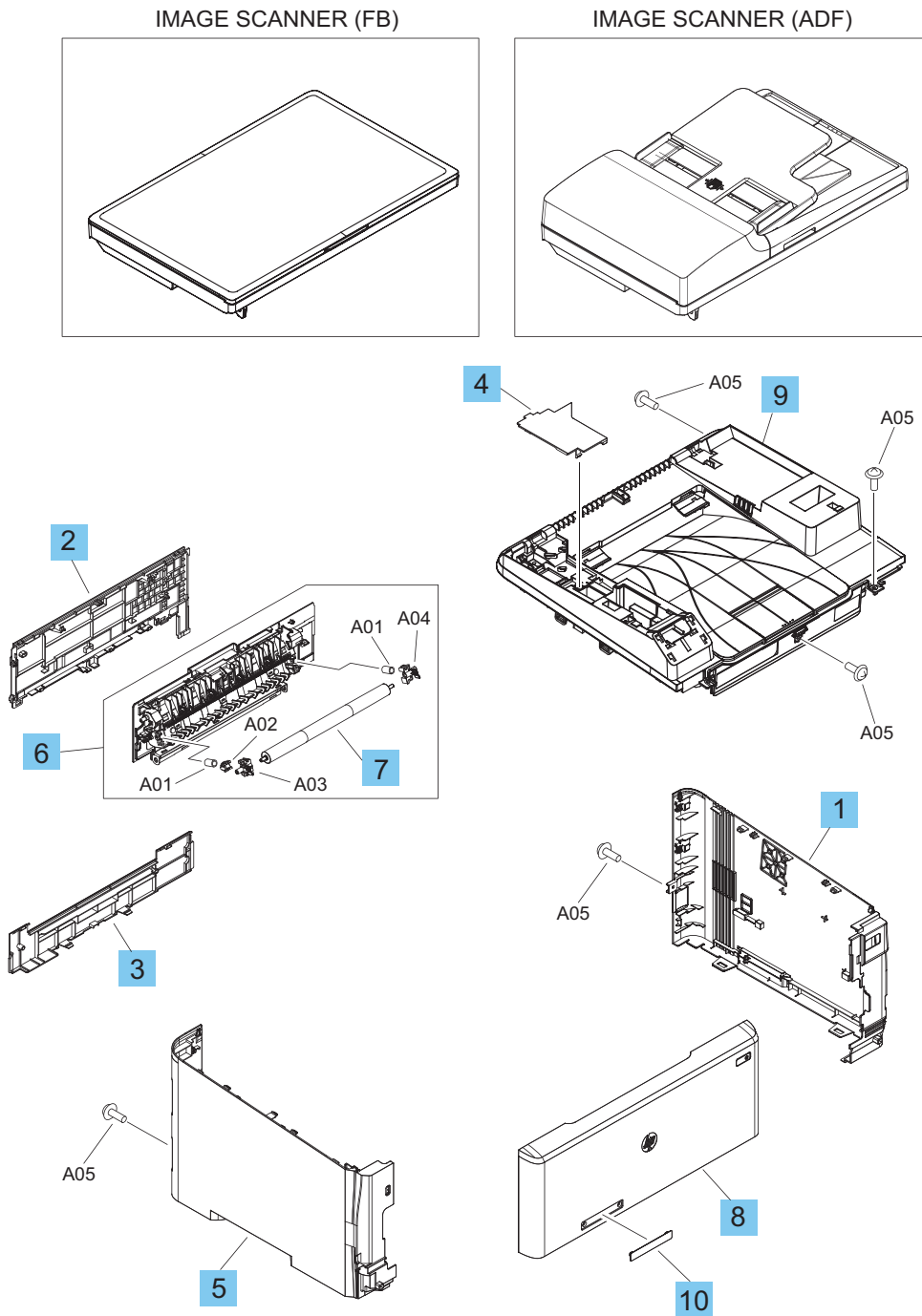


Table 2-5 Covers (M178-M181)

Ref	Description	Part number	Qty
1	Cover, right	RC5-2029-000CN	1
2	Cover, rear	RC4-3817-000CN	1
3	Cover, lower rear	RC5-3022-000CN	1
4	Cover, flat cable	RC5-3043-000CN	1
5	Cover, left (4-in-1 models)	RC5-2034-000CN	1
5	Cover, left (3-in-1 and 3-in-1 network wireless models)	RL2-3189-000CN	1
6	Rear door assembly	RM2-2489-000CN	1
7	Secondary transfer roller	RM2-5906-000CN	1
8	Front door assembly	RM2-2401-000CN	1
9	Top cover assembly	RM2-2482-000CN	1
10	Name plate (3-in-1 models)	RC5-4049-000CN	1
10	Name plate (4-in-1 models)	RC5-4050-000CN	1
10	Name plate (3-in-1 network wireless models)	RC5-4051-000CN	1
11	Power button assembly	RM2-2495-000CN	1
Not shown	Control panel, LED (M180n)	T6B70-60106	1
Not shown	Control panel, 2-line LCD (M180nw)	T6B74-60101	1
Not shown	Control panel, 2-line LCD with 10-keys (M181fw)	T6B71-60105	1

Covers (M253-M254)

Figure 2-6 Covers (M253-M254)

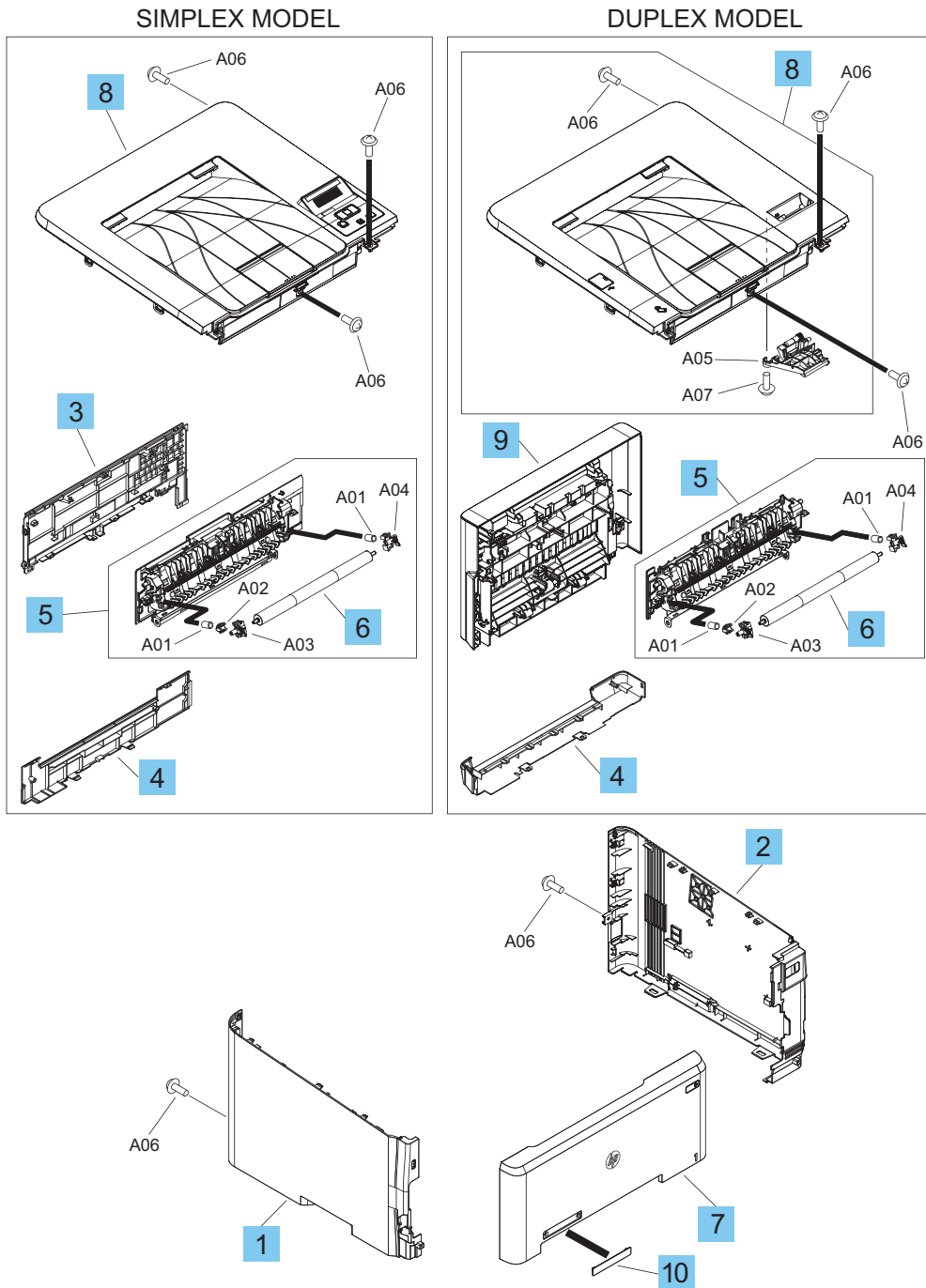


Table 2-6 Covers (M253-M254)

Ref	Description	Part number	Qty
1	Cover, left	RC5-2028-000CN	1
2	Cover, right	RC5-2029-000CN	1
3	Cover, rear (simplex models)	RC4-3817-000CN	1
4	Cover, lower rear (duplex models)	RL2-3225-000CN	1
4	Cover, lower rear (simplex models)	RC5-3022-000CN	1
5	Rear door assembly (duplex models)	RM2-5580-000CN	1
5	Rear door assembly (simplex models)	RM2-2489-000CN	1
6	Secondary transfer roller	RM2-5906-000CN	1
7	Front door assembly	RM2-5590-000CN	1
8	Top cover assembly (simplex models)	RM2-2421-000CN	1
8	Top cover assembly (duplex network models)	RM2-2491-000CN	1
8	Top cover assembly (duplex wireless models)	RM2-2496-000CN	1
9	Duplex door assembly (duplex models)	RM2-5867-000CN	1
10	Nameplate (M254nw)	RC5-4044-000CN	1
10	Nameplate (M254dw)	RC5-4045-000CN	1
10	Nameplate (M254dn)	RC5-4046-000CN	1
11	Power button assembly	RM2-2495-000CN	1
Not shown	Control panel (M254dw touchscreen)	T6B59-60101	1
Not shown	Control panel mount base (M254dw touchscreen)	B3Q09-60101	1

Covers (M278-M281)

Figure 2-7 Covers (M278-M281)

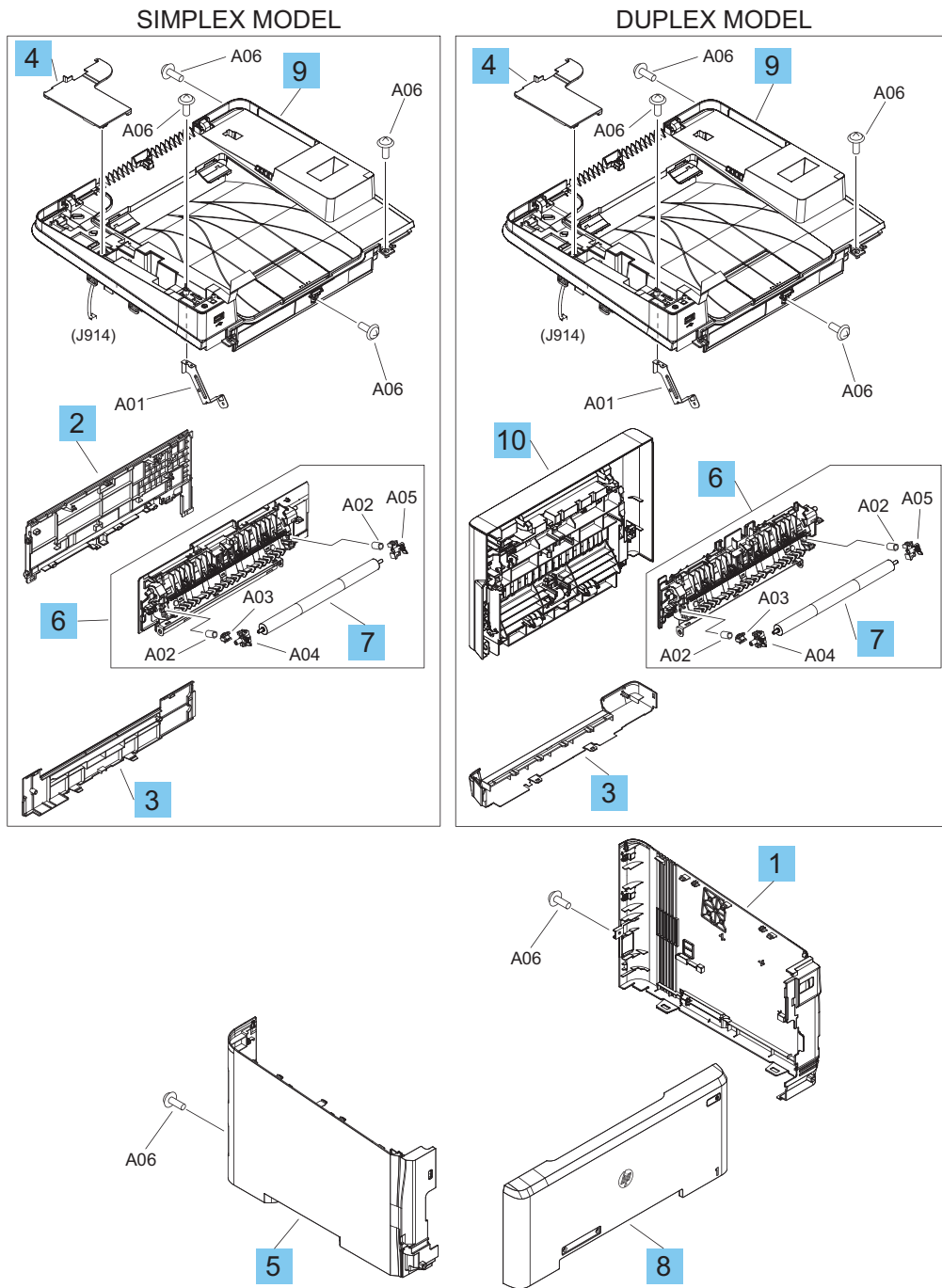


Table 2-7 Covers (M278-M281)

Ref	Description	Part number	Qty
1	Cover, right	RC5-2029-000CN	1
2	Cover, rear (simplex models)	RC4-3817-000CN	1
3	Cover, lower rear (duplex models)	RL2-3225-000CN	1
3	Cover, lower rear (simplex models)	RC5-3022-000CN	1
4	Cover, flat cable	RC4-3997-000CN	1
5	Cover, left	RC5-2034-000CN	1
6	Rear door assembly (duplex models)	RM2-5580-000CN	1
6	Rear door assembly (simplex models)	RM2-2489-000CN	1
7	Secondary transfer roller	RM2-5906-000CN	1
8	Front door assembly	RM2-5591-000CN	1
9	Top cover assembly	RM2-2403-000CN	1
10	Duplex door assembly (duplex models)	RM2-5867-000CN	1
11	Power button assembly	RM2-2495-000CN	1
Not shown	Control panel (M278-M281)	T6B80-60101	1

Parts and diagrams: Internal components

Internal components (1 of 4)

Figure 2-8 Internal components (1 of 4)

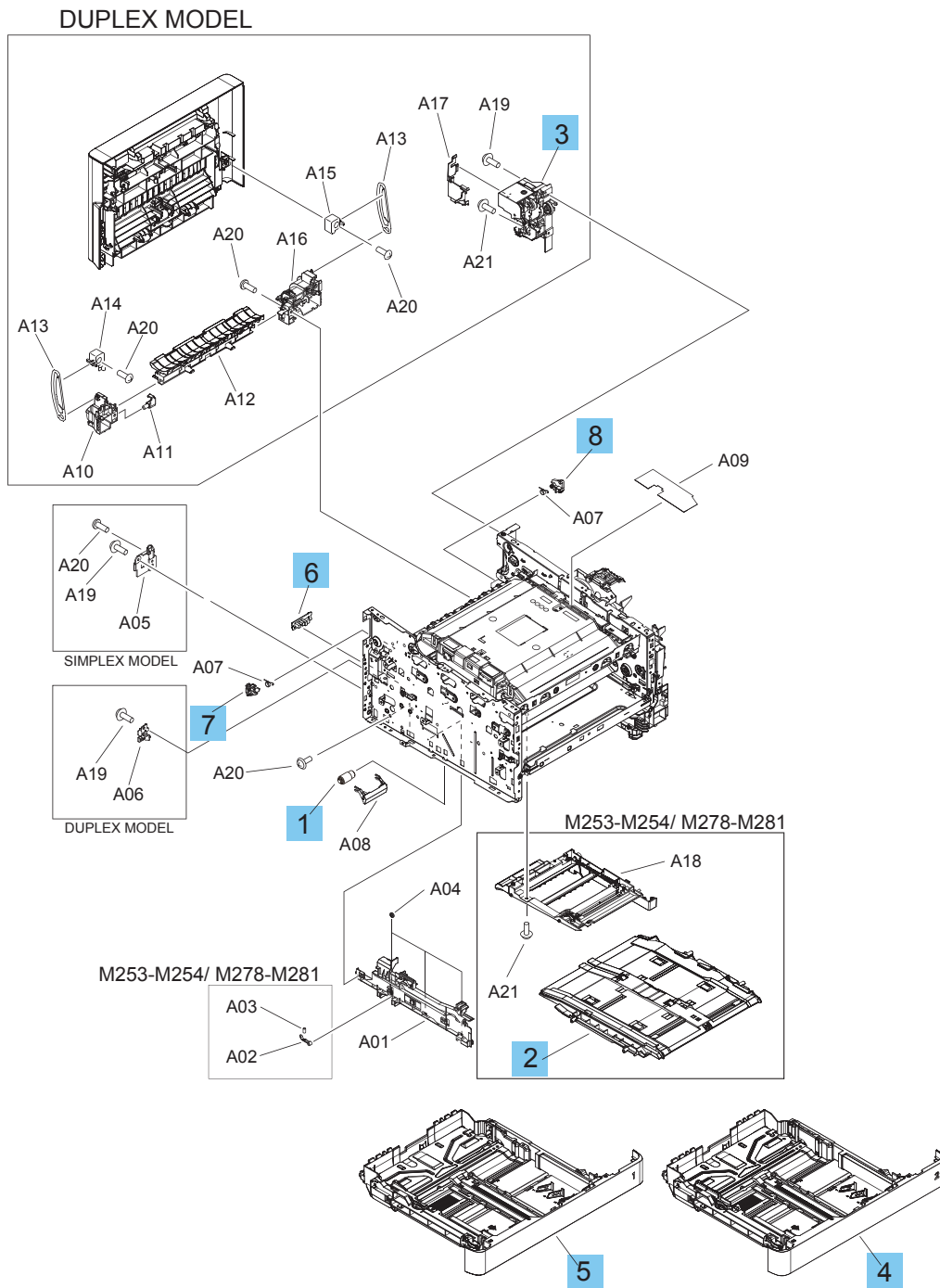


Table 2-8 Internal components (1 of 4)

Ref	Description	Part number	Qty
1	Separation roller assembly	RM2-5881-000CN	1
2	Priority feed slot tray (M253-M254, M278-281 models)	RM2-1693-000CN	1
3	Duplex drive assembly (duplex M253-M254, M278-M281 models)	RM2-5872-000CN	1
4	Cassette tray (M253-M254 models)	RM2-1679-000CN	1
4	Cassette tray (M278-M281 models)	RM2-1683-000CN	1
5	Cassette tray (M153-M154 models)	RM2-1684-000CN	1
5	Cassette tray (M178-M181 models)	RM2-1688-000CN	1
6	Environment sensor PCA assembly	RM2-9510-000CN	1
7	Arm lock, left	RC4-3848-000CN	1
8	Arm lock, right	RC4-3847-000CN	XXX

Internal components (2 of 4)

Figure 2-9 Internal components (2 of 4)

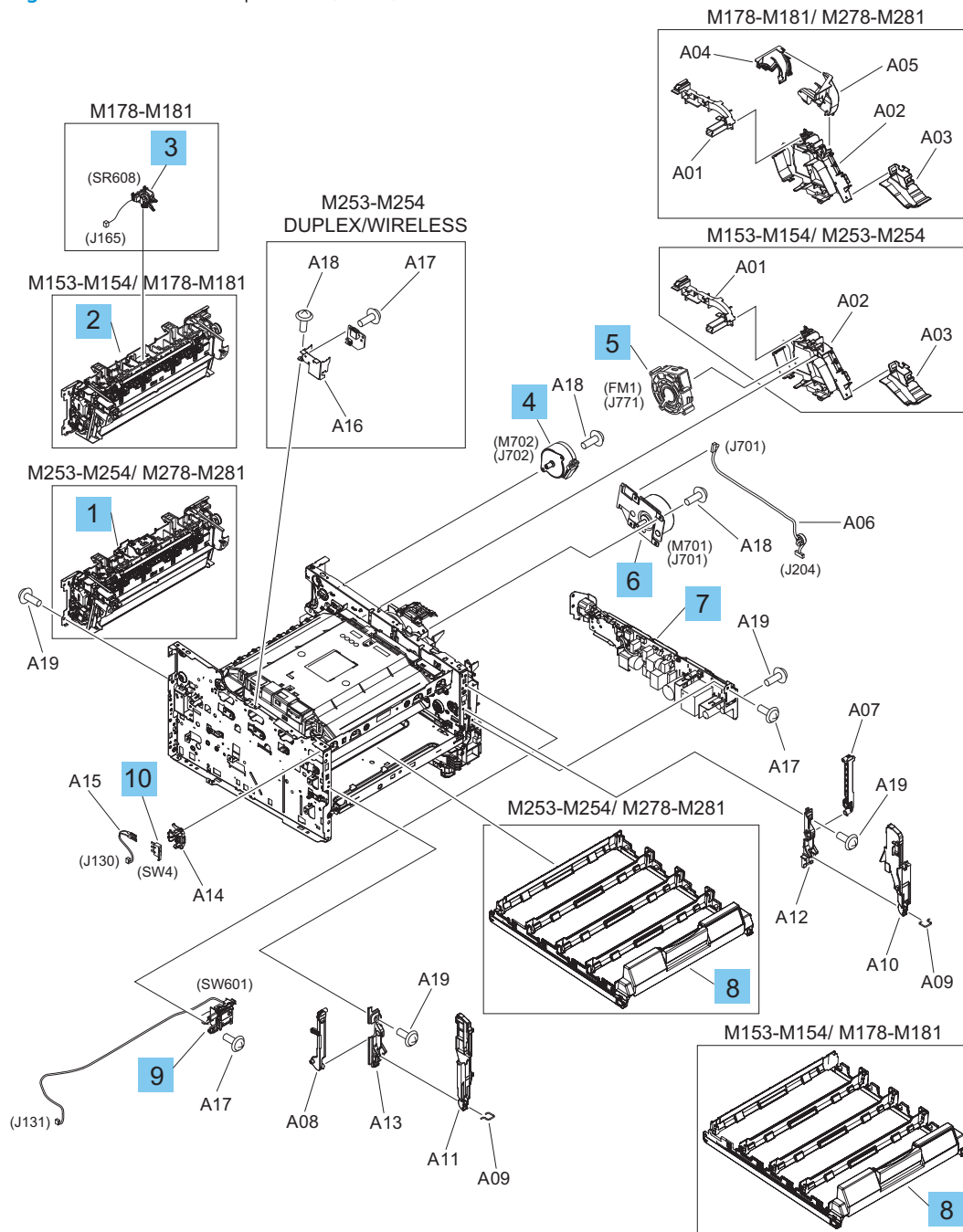


Table 2-9 Internal components (2 of 4)

Ref	Description	Part number	Qty
1	Fuser Assembly 110V (duplex M253-M254, M278-M281 models)	RM2-2487-000CN	1
1	Fuser assembly 220V (duplex M253-M254, M278-M281 models)	RM2-1673-000CN	1
1	Fuser assembly 220V (simplex M253-M254, M278-M281 models)	RM2-2488-000CN	1
2	Fuser assembly 110V (M153-M154, M178-M181 models)	RM2-5581-000CN	1
2	Fuser assembly 220V (M153-M154, M178-M181 models)	RM2-5582-000CN	1
3	Paper delivery sensor assembly (M178-M181 models)	RM2-5895-000CN	1
4	Stepping motor (M702) (M253-M254, M278-M281 models)	RK2-9471-000CN	1
4	Fuser motor assembly (M153-M154, M178-M181 models)	RM2-7409-000CN	1
5	Fan (FM1)	RK2-6425-000CN	1
6	Main motor assembly (M701)	RM2-8054-000CN	1
7	LVPS PCA 110V	RM2-2428-000CN	1
7	LVPS PCA 220V	RM2-2429-000CN	1
8	Cartridge tray assembly (M253-M254, M278-M281 models)	RM2-2396-000CN	1
8	Cartridge tray assembly (M153-M154, M178-M181 models)	RM2-2397-000CN	1
9	Power supply switch assembly (SW601)	RM2-5896-000CN	1
10	Microswitch (SW4)	RK2-0534-000CN	1

Internal components (3 of 4)

Figure 2-10 Internal components (3 of 4)

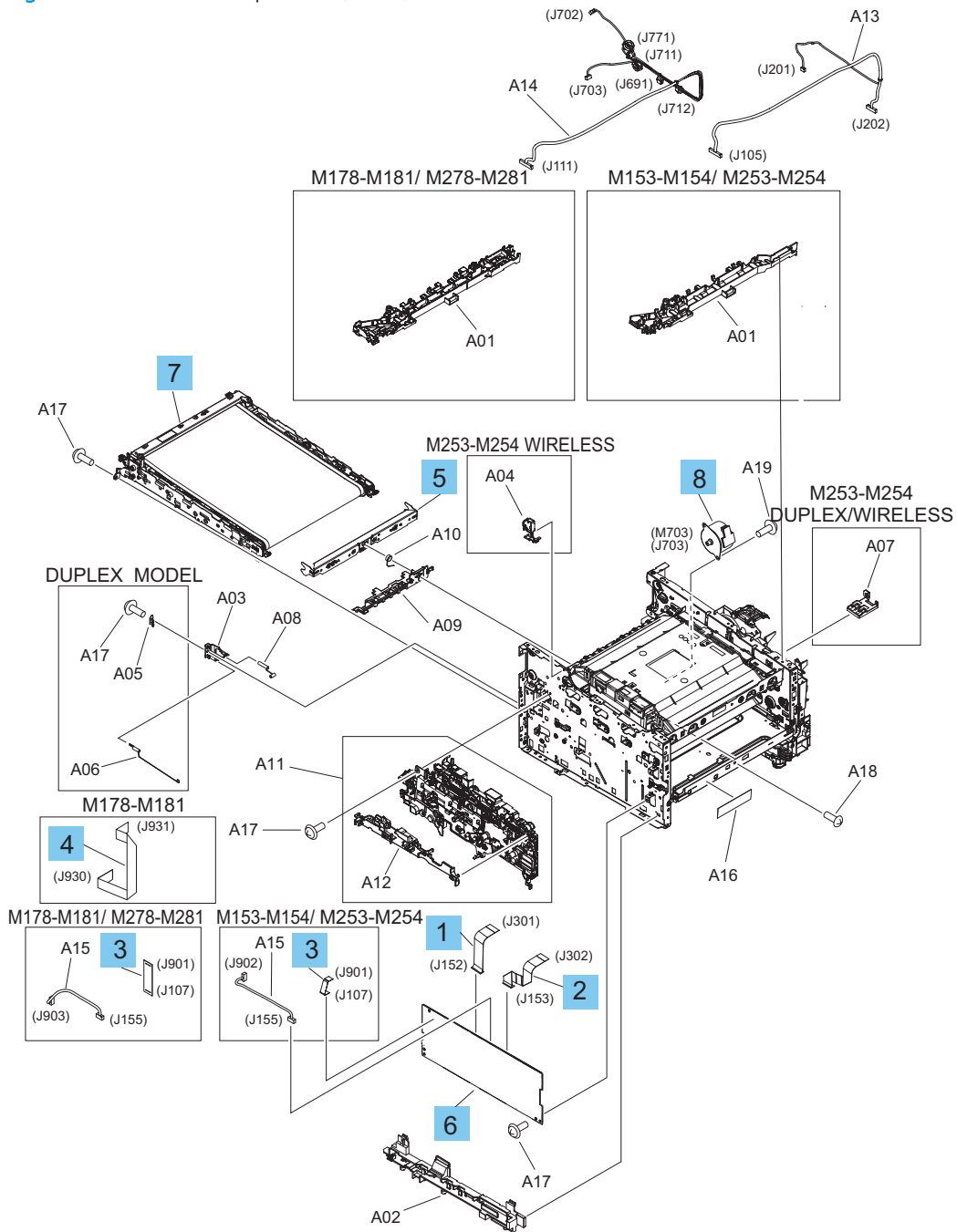


Table 2-10 Internal components (3 of 4)

Ref	Description	Part number	Qty
1	Cable, flat flexible	RK2-6383-000CN	1
2	Cable, flat flexible	RK2-8980-000CN	1
3	Cable, flat flexible (M253-M254, M153-M154 models)	RK2-6398-000CN	1
3	Cable, flat flexible (M278-M281, M178-M181 models)	RM3-7106-000CN	1
4	Cable, flat flexible (M178-M181 models)	RK2-9779-000CN	1
5	Density detect sensor assembly	RM2-5874-000CN	1
6	Engine Controller assembly (duplex M253-M254, M278-M281 models)	RM2-9574-000CN	1
6	Engine controller assembly (simplex M253-M254, M278-M281 models)	RM2-9575-000CN	1
6	Engine controller assembly (M153-M154, M178-M181 models)	RM2-9576-000CN	1
7	ITB assembly	RM2-5907-000CN	1
8	Stepping motor (M703) (M253-M254, M278-M281 models)	RK2-9730-000CN	1
8	Stepping motor (M703) (M153-M154, M178-M181 models)	RK2-9761-000CN	1

Internal components (4 of 4)

Figure 2-11 Internal components (4 of 4)

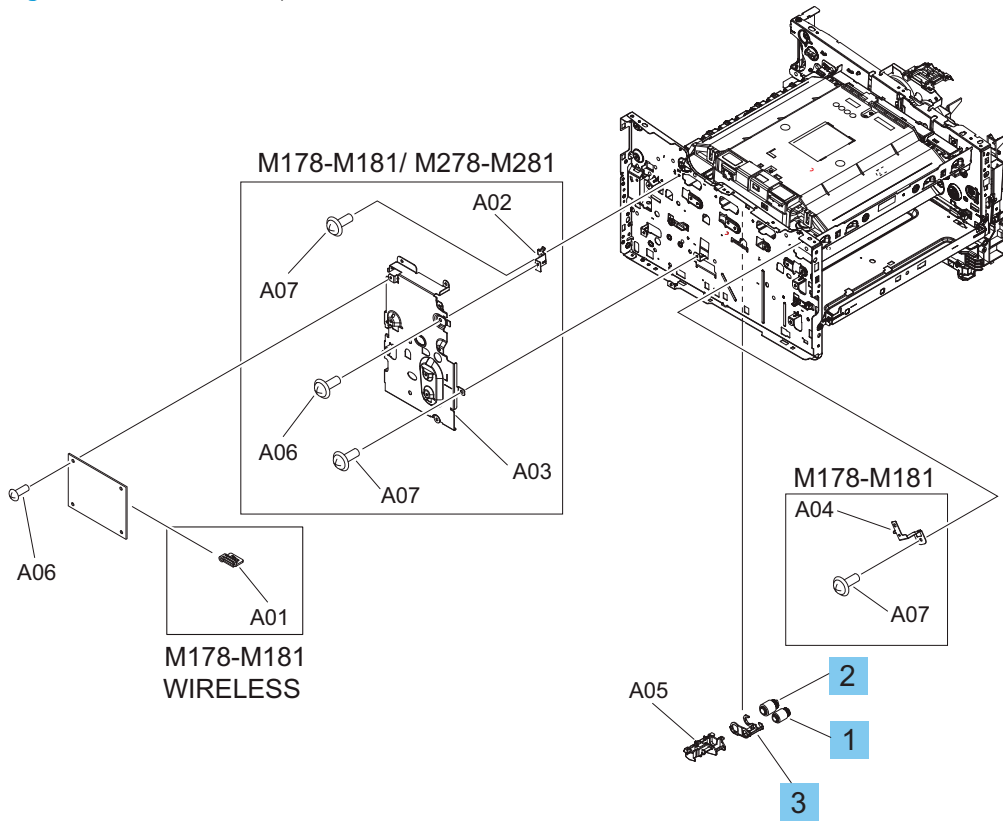


Table 2-11 Internal components (4 of 4)

Ref	Description	Part number	Qty
1	Paper pick up roller assembly	RM2-5576-000CN	1
2	Paper feed roller assembly	RM2-5577-000CN	1
3	Roller case	RC5-1975-000CN	1

Alphabetical parts list

Table 2-12 Alphabetical parts list

Description	Part number	Table and page
ADF assembly	RM2-2419-000CN	Image scanner and document feeder on page 687
ADF base assembly	RM2-1183-000CN	Image scanner and document feeder on page 687
ADF base assembly	B3Q10-60116	Image scanner and document feeder (M278-M281) on page 689
ADF core assembly	RM2-2425-000CN	Image scanner and document feeder on page 687
ADF core assembly	B3Q10-60112	Image scanner and document feeder (M278-M281) on page 689
ADF FFC cable assembly	B3Q10-60162	Image scanner and document feeder (M278-M281) on page 689
ADF front cap	B3Q10-40042	Image scanner and document feeder (M278-M281) on page 689
ADF inner cover	B3Q10-40012	Image scanner and document feeder (M278-M281) on page 689
ADF input tray assembly	B3Q10-60164	Image scanner and document feeder (M278-M281) on page 689
ADF lid hinge assembly	B3Q10-60130	Image scanner and document feeder (M278-M281) on page 689
ADF outer cover	B3Q10-40013	Image scanner and document feeder (M278-M281) on page 689
ADF pick assembly	B3Q10-60105	Image scanner and document feeder (M278-M281) on page 689
ADF pick extension shaft	B3Q10-40081	Image scanner and document feeder (M278-M281) on page 689
ADF simplex assembly	B3Q10-60111	Image scanner and document feeder (M278-M281) on page 689
Arm lock, left	RC4-3848-000CN	Internal components (1 of 4) on page 699
Arm lock, right	RC4-3847-000CN	Internal components (1 of 4) on page 699
Bearing extension	B3Q10-40074	Image scanner and document feeder (M278-M281) on page 689
Cable, flat flexible	RK2-6383-000CN	Internal components (3 of 4) on page 703
Cable, flat flexible	RK2-8980-000CN	Internal components (3 of 4) on page 703
Cable, flat flexible (M178-M181 models)	RK2-9779-000CN	Internal components (3 of 4) on page 703

Table 2-12 Alphabetical parts list (continued)

Description	Part number	Table and page
Cable, flat flexible (M253-M254, M153-M154 models)	RK2-6398-000CN	Internal components (3 of 4) on page 703
Cable, flat flexible (M278-M281, M178-M181 models)	RM3-7106-000CN	Internal components (3 of 4) on page 703
Cartridge tray assembly (M153-M154, M178-M181 models)	RM2-2397-000CN	Internal components (2 of 4) on page 701
Cartridge tray assembly (M253-M254, M278-M281 models)	RM2-2396-000CN	Internal components (2 of 4) on page 701
Cassette tray (M153-M154 models)	RM2-1684-000CN	Internal components (1 of 4) on page 699
Cassette tray (M178-M181 models)	RM2-1688-000CN	Internal components (1 of 4) on page 699
Cassette tray (M253-M254 models)	RM2-1679-000CN	Internal components (1 of 4) on page 699
Cassette tray (M278-M281 models)	RM2-1683-000CN	Internal components (1 of 4) on page 699
Control panel (M154 non-wireless model)	RM2-9558-000CN	Covers (M153-M154) on page 691
Control panel (M154 wireless model)	RM2-9557-000CN	Covers (M153-M154) on page 691
Control panel (M254dw touchscreen)	T6B59-60101	Covers (M253-M254) on page 695
Control panel (M278-M281)	T6B80-60101	Covers (M278-M281) on page 697
Control panel mount base (M254dw touchscreen)	B3Q09-60101	Covers (M253-M254) on page 695
Control panel, 2-line LCD (M180nw)	T6B74-60101	Covers (M178-M181) on page 693
Control panel, 2-line LCD with 10-keys (M181fw)	T6B71-60105	Covers (M178-M181) on page 693
Control panel, LED (M180n)	T6B70-60106	Covers (M178-M181) on page 693
Cover, flat cable	RC5-3043-000CN	Covers (M178-M181) on page 693
Cover, flat cable	RC4-3997-000CN	Covers (M278-M281) on page 697
Cover, left	RC5-2028-000CN	Covers (M253-M254) on page 695
Cover, left	RC5-2034-000CN	Covers (M278-M281) on page 697
Cover, left (3-in-1 and 3-in-1 network wireless models)	RL2-3189-000CN	Covers (M178-M181) on page 693

Table 2-12 Alphabetical parts list (continued)

Description	Part number	Table and page
Cover, left (4-in-1 models)	RC5-2034-000CN	Covers (M178-M181) on page 693
Cover, left (non-wireless model)	RL2-3224-000CN	Covers (M153-M154) on page 691
Cover, left (wireless model)	RC5-2028-000CN	Covers (M153-M154) on page 691
Cover, lower rear	RC5-3022-000CN	Covers (M153-M154) on page 691
Cover, lower rear	RC5-3022-000CN	Covers (M178-M181) on page 693
Cover, lower rear (duplex models)	RL2-3225-000CN	Covers (M253-M254) on page 695
Cover, lower rear (duplex models)	RL2-3225-000CN	Covers (M278-M281) on page 697
Cover, lower rear (simplex models)	RC5-3022-000CN	Covers (M253-M254) on page 695
Cover, lower rear (simplex models)	RC5-3022-000CN	Covers (M278-M281) on page 697
Cover, rear	RC4-3817-000CN	Covers (M153-M154) on page 691
Cover, rear	RC4-3817-000CN	Covers (M178-M181) on page 693
Cover, rear (simplex models)	RC4-3817-000CN	Covers (M253-M254) on page 695
Cover, rear (simplex models)	RC4-3817-000CN	Covers (M278-M281) on page 697
Cover, right	RC5-2029-000CN	Covers (M153-M154) on page 691
Cover, right	RC5-2029-000CN	Covers (M178-M181) on page 693
Cover, right	RC5-2029-000CN	Covers (M253-M254) on page 695
Cover, right	RC5-2029-000CN	Covers (M278-M281) on page 697
Density detect sensor assembly	RM2-5874-000CN	Internal components (3 of 4) on page 703
Document lid assembly	RM2-2411-000CN	Image scanner (flatbed) on page 685
Duplex door assembly (duplex models)	RM2-5867-000CN	Covers (M253-M254) on page 695
Duplex door assembly (duplex models)	RM2-5867-000CN	Covers (M278-M281) on page 697

Table 2-12 Alphabetical parts list (continued)

Description	Part number	Table and page
Duplex drive assembly (duplex M253-M254, M278-M281 models)	RM2-5872-000CN	Internal components (1 of 4) on page 699
Engine Controller assembly (duplex M253-M254, M278-M281 models)	RM2-9574-000CN	Internal components (3 of 4) on page 703
Engine controller assembly (M153-M154, M178-M181 models)	RM2-9576-000CN	Internal components (3 of 4) on page 703
Engine controller assembly (simplex M253-M254, M278-M281 models)	RM2-9575-000CN	Internal components (3 of 4) on page 703
Environment sensor PCA assembly	RM2-9510-000CN	Internal components (1 of 4) on page 699
Fan (FM1)	RK2-6425-000CN	Internal components (2 of 4) on page 701
Front door assembly	RM2-2400-000CN	Covers (M153-M154) on page 691
Front door assembly	RM2-2401-000CN	Covers (M178-M181) on page 693
Front door assembly	RM2-5590-000CN	Covers (M253-M254) on page 695
Front door assembly	RM2-5591-000CN	Covers (M278-M281) on page 697
Fuser Assembly 110V (duplex M253-M254, M278-M281 models)	RM2-2487-000CN	Internal components (2 of 4) on page 701
Fuser assembly 110V (M153-M154, M178-M181 models)	RM2-5581-000CN	Internal components (2 of 4) on page 701
Fuser assembly 220V (duplex M253-M254, M278-M281 models)	RM2-1673-000CN	Internal components (2 of 4) on page 701
Fuser assembly 220V (M153-M154, M178-M181 models)	RM2-5582-000CN	Internal components (2 of 4) on page 701
Fuser assembly 220V (simplex M253-M254, M278-M281 models)	RM2-2488-000CN	Internal components (2 of 4) on page 701
Fuser motor assembly (M153-M154, M178-M181 models)	RM2-7409-000CN	Internal components (2 of 4) on page 701
Image scanner assembly	RM2-2412-000CN	Image scanner (flatbed) on page 685
Image scanner assembly	RM2-2416-000CN	Image scanner and document feeder on page 687
Input tray assembly	RM2-2420-000CN	Image scanner and document feeder on page 687
Integrated scanner assembly (document feeder and scanner)	B3Q10-60174	Image scanner and document feeder (M278-M281) on page 689
ISA lift assembly	B3Q10-60128	Image scanner and document feeder (M278-M281) on page 689

Table 2-12 Alphabetical parts list (continued)

Description	Part number	Table and page
ISA lift slider pin	B3Q10-40041	Image scanner and document feeder (M278-M281) on page 689
ITB assembly	RM2-5907-000CN	Internal components (3 of 4) on page 703
LVPS PCA 110V	RM2-2428-000CN	Internal components (2 of 4) on page 701
LVPS PCA 220V	RM2-2429-000CN	Internal components (2 of 4) on page 701
Main motor assembly (M701)	RM2-8054-000CN	Internal components (2 of 4) on page 701
Microswitch (SW4)	RK2-0534-000CN	Internal components (2 of 4) on page 701
Name plate (3-in-1 models)	RC5-4049-000CN	Covers (M178-M181) on page 693
Name plate (3-in-1 network wireless models)	RC5-4051-000CN	Covers (M178-M181) on page 693
Name plate (4-in-1 models)	RC5-4050-000CN	Covers (M178-M181) on page 693
Name plate (non-wireless models)	RC5-4047-000CN	Covers (M153-M154) on page 691
Name plate (wireless models)	RC5-4048-000CN	Covers (M153-M154) on page 691
Nameplate (M254dn)	RC5-4046-000CN	Covers (M253-M254) on page 695
Nameplate (M254dw)	RC5-4045-000CN	Covers (M253-M254) on page 695
Nameplate (M254nw)	RC5-4044-000CN	Covers (M253-M254) on page 695
Paper delivery sensor assembly (M178-M181 models)	RM2-5895-000CN	Internal components (2 of 4) on page 701
Paper feed roller assembly	RM2-5577-000CN	Internal components (4 of 4) on page 705
Paper pick up roller assembly	RM2-5576-000CN	Internal components (4 of 4) on page 705
Power button assembly	RM2-2495-000CN	Covers (M178-M181) on page 693
Power button assembly	RM2-2495-000CN	Covers (M253-M254) on page 695
Power button assembly	RM2-2495-000CN	Covers (M278-M281) on page 697
Power supply switch assembly (SW601)	RM2-5896-000CN	Internal components (2 of 4) on page 701

Table 2-12 Alphabetical parts list (continued)

Description	Part number	Table and page
Pre-pick arm assembly	RM2-1187-000CN	Image scanner and document feeder on page 687
Priority feed slot tray (M253-M254, M278-281 models)	RM2-1693-000CN	Internal components (1 of 4) on page 699
Rear door assembly	RM2-2489-000CN	Covers (M153-M154) on page 691
Rear door assembly	RM2-2489-000CN	Covers (M178-M181) on page 693
Rear door assembly (duplex models)	RM2-5580-000CN	Covers (M253-M254) on page 695
Rear door assembly (duplex models)	RM2-5580-000CN	Covers (M278-M281) on page 697
Rear door assembly (simplex models)	RM2-2489-000CN	Covers (M253-M254) on page 695
Rear door assembly (simplex models)	RM2-2489-000CN	Covers (M278-M281) on page 697
Roller case	RC5-1975-000CN	Internal components (4 of 4) on page 705
Scanner assembly	B3Q10-60102	Image scanner and document feeder (M278-M281) on page 689
Secondary transfer roller	RM2-5906-000CN	Covers (M153-M154) on page 691
Secondary transfer roller	RM2-5906-000CN	Covers (M178-M181) on page 693
Secondary transfer roller	RM2-5906-000CN	Covers (M253-M254) on page 695
Secondary transfer roller	RM2-5906-000CN	Covers (M278-M281) on page 697
Separation pad	B3Q10-40080	Image scanner and document feeder (M278-M281) on page 689
Separation pad spring	B3Q10-00019	Image scanner and document feeder (M278-M281) on page 689
Separation pad support	B3Q10-40079	Image scanner and document feeder (M278-M281) on page 689
Separation roller assembly	RM2-5881-000CN	Internal components (1 of 4) on page 699
Stepping motor (M702) (M253-M254, M278-M281 models)	RK2-9471-000CN	Internal components (2 of 4) on page 701
Stepping motor (M703) (M153-M154, M178-M181 models)	RK2-9761-000CN	Internal components (3 of 4) on page 703
Stepping motor (M703) (M253-M254, M278-M281 models)	RK2-9730-000CN	Internal components (3 of 4) on page 703

Table 2-12 Alphabetical parts list (continued)

Description	Part number	Table and page
Top cover	RM2-1180-000CN	Image scanner and document feeder on page 687
Top cover assembly	RM2-2482-000CN	Covers (M178-M181) on page 693
Top cover assembly	RM2-2403-000CN	Covers (M278-M281) on page 697
Top cover assembly (duplex network models)	RM2-2491-000CN	Covers (M253-M254) on page 695
Top cover assembly (duplex wireless models)	RM2-2496-000CN	Covers (M253-M254) on page 695
Top cover assembly (non-wireless models)	RM2-2405-000CN	Covers (M153-M154) on page 691
Top cover assembly (simplex models)	RM2-2421-000CN	Covers (M253-M254) on page 695
Top cover assembly (wireless models)	RM2-2424-000CN	Covers (M153-M154) on page 691

Numerical parts list

Table 2-13 Numerical parts list

Part number	Description	Table and page
B3Q09-60101	Control panel mount base (M254dw touchscreen)	Covers (M253-M254) on page 695
B3Q10-00019	Separation pad spring	Image scanner and document feeder (M278-M281) on page 689
B3Q10-40012	ADF inner cover	Image scanner and document feeder (M278-M281) on page 689
B3Q10-40013	ADF outer cover	Image scanner and document feeder (M278-M281) on page 689
B3Q10-40041	ISA lift slider pin	Image scanner and document feeder (M278-M281) on page 689
B3Q10-40042	ADF front cap	Image scanner and document feeder (M278-M281) on page 689
B3Q10-40074	Bearing extension	Image scanner and document feeder (M278-M281) on page 689
B3Q10-40079	Separation pad support	Image scanner and document feeder (M278-M281) on page 689
B3Q10-40080	Separation pad	Image scanner and document feeder (M278-M281) on page 689
B3Q10-40081	ADF pick extension shaft	Image scanner and document feeder (M278-M281) on page 689
B3Q10-60102	Scanner assembly	Image scanner and document feeder (M278-M281) on page 689
B3Q10-60105	ADF pick assembly	Image scanner and document feeder (M278-M281) on page 689
B3Q10-60111	ADF simplex assembly	Image scanner and document feeder (M278-M281) on page 689
B3Q10-60112	ADF core assembly	Image scanner and document feeder (M278-M281) on page 689
B3Q10-60116	ADF base assembly	Image scanner and document feeder (M278-M281) on page 689
B3Q10-60128	ISA lift assembly	Image scanner and document feeder (M278-M281) on page 689
B3Q10-60130	ADF lid hinge assembly	Image scanner and document feeder (M278-M281) on page 689
B3Q10-60162	ADF FFC cable assembly	Image scanner and document feeder (M278-M281) on page 689
B3Q10-60164	ADF input tray assembly	Image scanner and document feeder (M278-M281) on page 689
B3Q10-60174	Integrated scanner assembly (document feeder and scanner)	Image scanner and document feeder (M278-M281) on page 689

Table 2-13 Numerical parts list (continued)

Part number	Description	Table and page
RC4-3817-000CN	Cover, rear	Covers (M153-M154) on page 691
RC4-3817-000CN	Cover, rear	Covers (M178-M181) on page 693
RC4-3817-000CN	Cover, rear (simplex models)	Covers (M253-M254) on page 695
RC4-3817-000CN	Cover, rear (simplex models)	Covers (M278-M281) on page 697
RC4-3847-000CN	Arm lock, right	Internal components (1 of 4) on page 699
RC4-3848-000CN	Arm lock, left	Internal components (1 of 4) on page 699
RC4-3997-000CN	Cover, flat cable	Covers (M278-M281) on page 697
RC5-1975-000CN	Roller case	Internal components (4 of 4) on page 705
RC5-2028-000CN	Cover, left (wireless model)	Covers (M153-M154) on page 691
RC5-2029-000CN	Cover, right	Covers (M153-M154) on page 691
RC5-2029-000CN	Cover, right	Covers (M178-M181) on page 693
RC5-2029-000CN	Cover, right	Covers (M253-M254) on page 695
RC5-2029-000CN	Cover, right	Covers (M278-M281) on page 697
RC5-2034-000CN	Cover, left (4-in-1 models)	Covers (M178-M181) on page 693
RC5-2034-000CN	Cover, left	Covers (M278-M281) on page 697
RC5-3022-000CN	Cover, lower rear	Covers (M153-M154) on page 691
RC5-3022-000CN	Cover, lower rear	Covers (M178-M181) on page 693
RC5-3022-000CN	Cover, lower rear (simplex models)	Covers (M253-M254) on page 695
RC5-3022-000CN	Cover, lower rear (simplex models)	Covers (M278-M281) on page 697
RC5-3043-000CN	Cover, flat cable	Covers (M178-M181) on page 693
RC5-4044-000CN	Nameplate (M254nw)	Covers (M253-M254) on page 695

Table 2-13 Numerical parts list (continued)

Part number	Description	Table and page
RC5-4045-000CN	Nameplate (M254dw)	Covers (M253-M254) on page 695
RC5-4046-000CN	Nameplate (M254dn)	Covers (M253-M254) on page 695
RC5-4047-000CN	Name plate (non-wireless models)	Covers (M153-M154) on page 691
RC5-4048-000CN	Name plate (wireless models)	Covers (M153-M154) on page 691
RC5-4049-000CN	Name plate (3-in-1 models)	Covers (M178-M181) on page 693
RC5-4050-000CN	Name plate (4-in-1 models)	Covers (M178-M181) on page 693
RC5-4051-000CN	Name plate (3-in-1 network wireless models)	Covers (M178-M181) on page 693
RC5-2028-000CN	Cover, left	Covers (M253-M254) on page 695
RK2-0534-000CN	Microswitch (SW4)	Internal components (2 of 4) on page 701
RK2-6383-000CN	Cable, flat flexible	Internal components (3 of 4) on page 703
RK2-6398-000CN	Cable, flat flexible (M253-M254, M153-M154 models)	Internal components (3 of 4) on page 703
RK2-6425-000CN	Fan (FM1)	Internal components (2 of 4) on page 701
RK2-8980-000CN	Cable, flat flexible	Internal components (3 of 4) on page 703
RK2-9471-000CN	Stepping motor (M702) (M253-M254, M278-M281 models)	Internal components (2 of 4) on page 701
RK2-9730-000CN	Stepping motor (M703) (M253-M254, M278-M281 models)	Internal components (3 of 4) on page 703
RK2-9761-000CN	Stepping motor (M703) (M153-M154, M178-M181 models)	Internal components (3 of 4) on page 703
RK2-9779-000CN	Cable, flat flexible (M178-M181 models)	Internal components (3 of 4) on page 703
RL2-3189-000CN	Cover, left (3-in-1 and 3-in-1 network wireless models)	Covers (M178-M181) on page 693
RL2-3224-000CN	Cover, left (non-wireless model)	Covers (M153-M154) on page 691
RL2-3225-000CN	Cover, lower rear (duplex models)	Covers (M253-M254) on page 695
RL2-3225-000CN	Cover, lower rear (duplex models)	Covers (M278-M281) on page 697

Table 2-13 Numerical parts list (continued)

Part number	Description	Table and page
RM2-1180-000CN	Top cover	Image scanner and document feeder on page 687
RM2-1183-000CN	ADF base assembly	Image scanner and document feeder on page 687
RM2-1187-000CN	Pre-pick arm assembly	Image scanner and document feeder on page 687
RM2-1673-000CN	Fuser assembly 220V (duplex M253-M254, M278-M281 models)	Internal components (2 of 4) on page 701
RM2-1679-000CN	Cassette tray (M253-M254 models)	Internal components (1 of 4) on page 699
RM2-1683-000CN	Cassette tray (M278-M281 models)	Internal components (1 of 4) on page 699
RM2-1684-000CN	Cassette tray (M153-M154 models)	Internal components (1 of 4) on page 699
RM2-1688-000CN	Cassette tray (M178-M181 models)	Internal components (1 of 4) on page 699
RM2-1693-000CN	Priority feed slot tray (M253-M254, M278-281 models)	Internal components (1 of 4) on page 699
RM2-2396-000CN	Cartridge tray assembly (M253-M254, M278-M281 models)	Internal components (2 of 4) on page 701
RM2-2397-000CN	Cartridge tray assembly (M153-M154, M178-M181 models)	Internal components (2 of 4) on page 701
RM2-2400-000CN	Front door assembly	Covers (M153-M154) on page 691
RM2-2401-000CN	Front door assembly	Covers (M178-M181) on page 693
RM2-2403-000CN	Top cover assembly	Covers (M278-M281) on page 697
RM2-2405-000CN	Top cover assembly (non-wireless models)	Covers (M153-M154) on page 691
RM2-2411-000CN	Document lid assembly	Image scanner (flatbed) on page 685
RM2-2412-000CN	Image scanner assembly	Image scanner (flatbed) on page 685
RM2-2416-000CN	Image scanner assembly	Image scanner and document feeder on page 687
RM2-2419-000CN	ADF assembly	Image scanner and document feeder on page 687
RM2-2420-000CN	Input tray assembly	Image scanner and document feeder on page 687
RM2-2421-000CN	Top cover assembly (simplex models)	Covers (M253-M254) on page 695

Table 2-13 Numerical parts list (continued)

Part number	Description	Table and page
RM2-2424-000CN	Top cover assembly (wireless models)	Covers (M153-M154) on page 691
RM2-2425-000CN	ADF core assembly	Image scanner and document feeder on page 687
RM2-2428-000CN	LVPS PCA 110V	Internal components (2 of 4) on page 701
RM2-2429-000CN	LVPS PCA 220V	Internal components (2 of 4) on page 701
RM2-2482-000CN	Top cover assembly	Covers (M178-M181) on page 693
RM2-2487-000CN	Fuser Assembly 110V (duplex M253-M254, M278-M281 models)	Internal components (2 of 4) on page 701
RM2-2488-000CN	Fuser assembly 220V (simplex M253-M254, M278-M281 models)	Internal components (2 of 4) on page 701
RM2-2489-000CN	Rear door assembly	Covers (M153-M154) on page 691
RM2-2489-000CN	Rear door assembly	Covers (M178-M181) on page 693
RM2-2489-000CN	Rear door assembly (simplex models)	Covers (M253-M254) on page 695
RM2-2489-000CN	Rear door assembly (simplex models)	Covers (M278-M281) on page 697
RM2-2491-000CN	Top cover assembly (duplex network models)	Covers (M253-M254) on page 695
RM2-2495-000CN	Power button assembly	Covers (M178-M181) on page 693
RM2-2495-000CN	Power button assembly	Covers (M253-M254) on page 695
RM2-2495-000CN	Power button assembly	Covers (M278-M281) on page 697
RM2-2496-000CN	Top cover assembly (duplex wireless models)	Covers (M253-M254) on page 695
RM2-5576-000CN	Paper pick up roller assembly	Internal components (4 of 4) on page 705
RM2-5577-000CN	Paper feed roller assembly	Internal components (4 of 4) on page 705
RM2-5580-000CN	Rear door assembly (duplex models)	Covers (M253-M254) on page 695
RM2-5580-000CN	Rear door assembly (duplex models)	Covers (M278-M281) on page 697
RM2-5581-000CN	Fuser assembly 110V (M153-M154, M178-M181 models)	Internal components (2 of 4) on page 701

Table 2-13 Numerical parts list (continued)

Part number	Description	Table and page
RM2-5582-000CN	Fuser assembly 220V (M153-M154, M178-M181 models)	Internal components (2 of 4) on page 701
RM2-5590-000CN	Front door assembly	Covers (M253-M254) on page 695
RM2-5591-000CN	Front door assembly	Covers (M278-M281) on page 697
RM2-5867-000CN	Duplex door assembly (duplex models)	Covers (M253-M254) on page 695
RM2-5867-000CN	Duplex door assembly (duplex models)	Covers (M278-M281) on page 697
RM2-5872-000CN	Duplex drive assembly (duplex M253-M254, M278-M281 models)	Internal components (1 of 4) on page 699
RM2-5874-000CN	Density detect sensor assembly	Internal components (3 of 4) on page 703
RM2-5881-000CN	Separation roller assembly	Internal components (1 of 4) on page 699
RM2-5895-000CN	Paper delivery sensor assembly (M178-M181 models)	Internal components (2 of 4) on page 701
RM2-5896-000CN	Power supply switch assembly (SW601)	Internal components (2 of 4) on page 701
RM2-5906-000CN	Secondary transfer roller	Covers (M153-M154) on page 691
RM2-5906-000CN	Secondary transfer roller	Covers (M178-M181) on page 693
RM2-5906-000CN	Secondary transfer roller	Covers (M253-M254) on page 695
RM2-5906-000CN	Secondary transfer roller	Covers (M278-M281) on page 697
RM2-5907-000CN	ITB assembly	Internal components (3 of 4) on page 703
RM2-7409-000CN	Fuser motor assembly (M153-M154, M178-M181 models)	Internal components (2 of 4) on page 701
RM2-8054-000CN	Main motor assembly (M701)	Internal components (2 of 4) on page 701
RM2-9510-000CN	Environment sensor PCA assembly	Internal components (1 of 4) on page 699
RM2-9557-000CN	Control panel (M154 wireless model)	Covers (M153-M154) on page 691
RM2-9558-000CN	Control panel (M154 non-wireless model)	Covers (M153-M154) on page 691
RM2-9574-000CN	Engine Controller assembly (duplex M253-M254, M278-M281 models)	Internal components (3 of 4) on page 703

Table 2-13 Numerical parts list (continued)

Part number	Description	Table and page
RM2-9575-000CN	Engine controller assembly (simplex M253-M254, M278-M281 models)	Internal components (3 of 4) on page 703
RM2-9576-000CN	Engine controller assembly (M153-M154, M178-M181 models)	Internal components (3 of 4) on page 703
RM3-7106-000CN	Cable, flat flexible (M278-M281, M178-M181 models)	Internal components (3 of 4) on page 703
T6B59-60101	Control panel (M254dw touchscreen)	Covers (M253-M254) on page 695
T6B70-60106	Control panel, LED (M180n)	Covers (M178-M181) on page 693
T6B71-60105	Control panel, 2-line LCD with 10-keys (M181fw)	Covers (M178-M181) on page 693
T6B74-60101	Control panel, 2-line LCD (M180nw)	Covers (M178-M181) on page 693
T6B80-60101	Control panel (M278-M281)	Covers (M278-M281) on page 697

